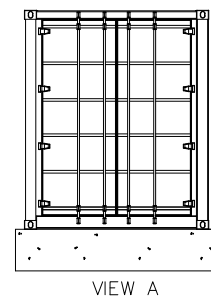
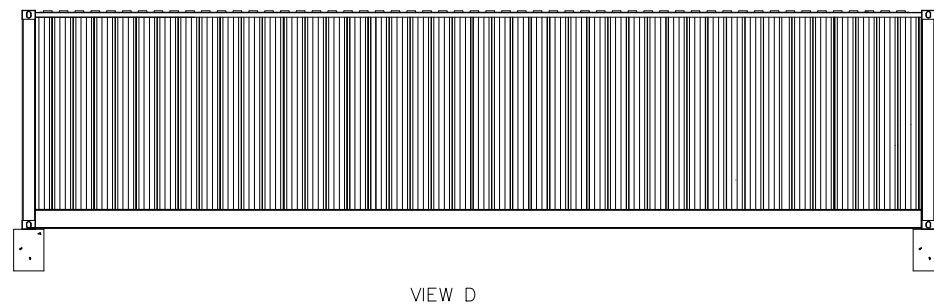
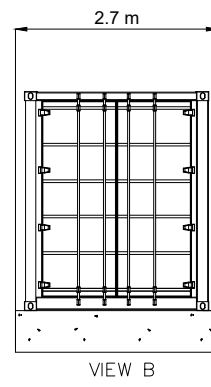
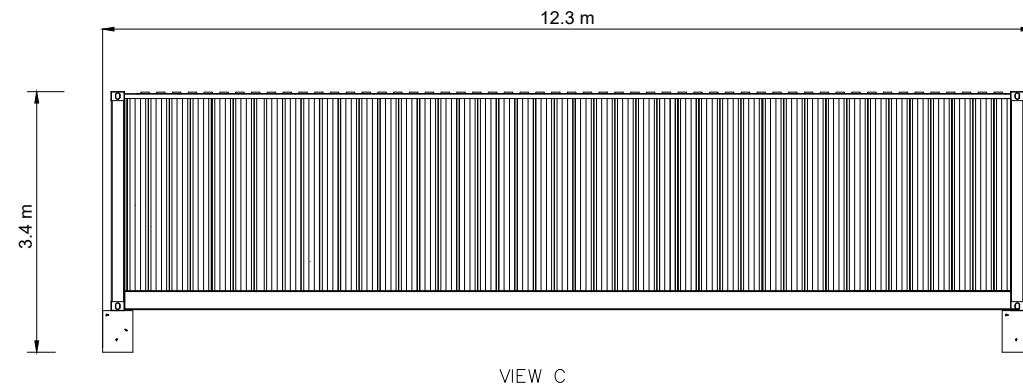
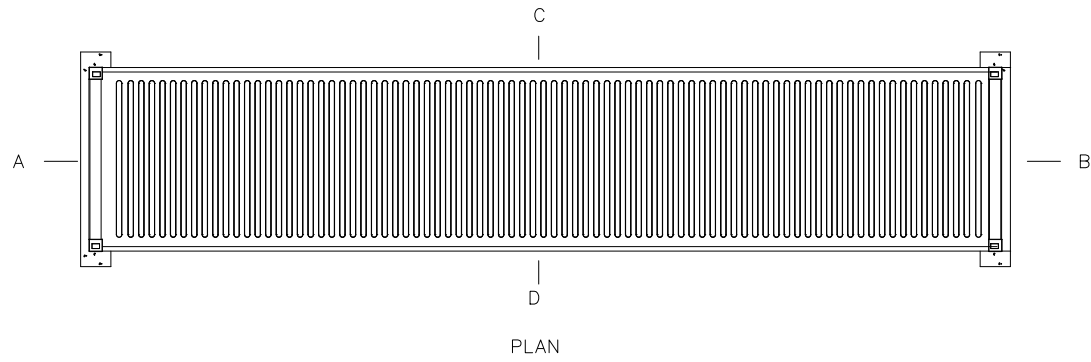


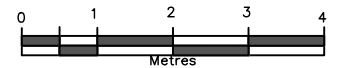
Indicative Spares Container Design



Symbols

Notes

- 1. Print in colour.



Revision	Description	Drawn	Ch'kd	App'd	Date

Project Name
Stalybridge 150MW Battery Storage

Address
Printworks Rd, Heryod, Stalybridge
SK15 3DA

Drawing N#
Drawing 2-6

Drawing Title
Spare Container Elevations



Zenobe Energy Limited
First Floor - Burdett House 15-16 Buckingham Street,
London, WC2N 6DU
020 3912 7853
contact@zenobe.com

Drawing Status
Final for Planning Submission

Drawn	YG	Checked	JH	Approved	SW
-------	----	---------	----	----------	----

Scale	NTA	Size	A3	Date	09/12/2022
-------	-----	------	----	------	------------

Drawing Name
STAY2-PLA-GA-09